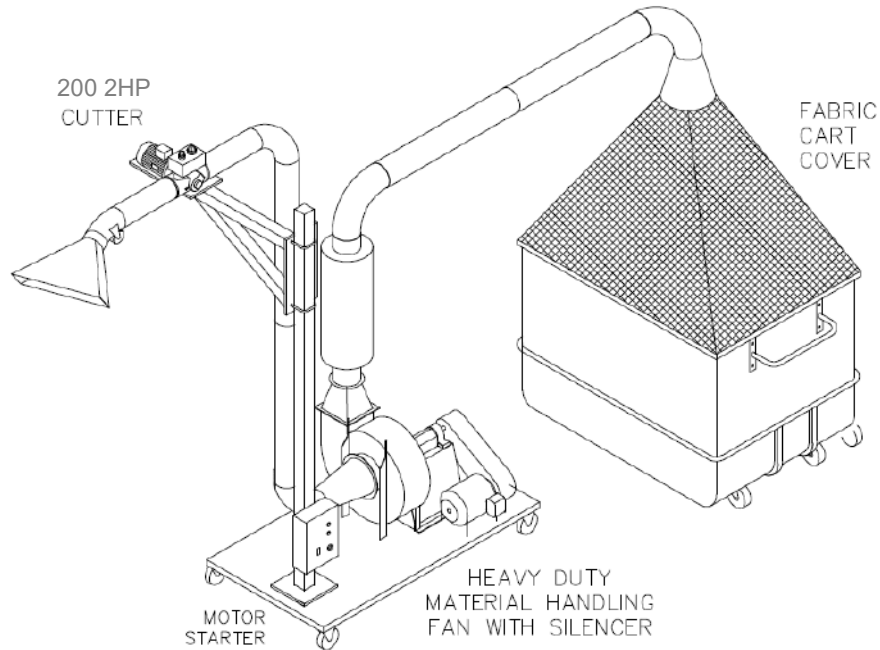


MITS-CCF-MX

Move It Trim System for Matrix



The **MITS-CCF-MX** is a Move-it-Trim-System **Cutter-Cart-Fan** for Matrix Removal.

Our Move It Trim System gives you the versatility to locate the matrix removal system when and where it is required sending the matrix material to your gaylord.

MITS-CCF-MX

Max Air Flow (CFM)	2,177	Standard Blade Ass'y	3 blade
Max Speed (FPM)	1,000	Variable Speed Fan	5HP
System Capacity (lbs/hr)	16,500	Min Material Thickness	.0004"
Max Suction Distance	60'	Wheeled cart	Standard
Max Duct Diameter	6" / 10"	Voltage	230/460 VAC
Standard Cutter	AT-200 / 2HP	With fabric cart cover	Yes

MITS CCF Matrix 2023