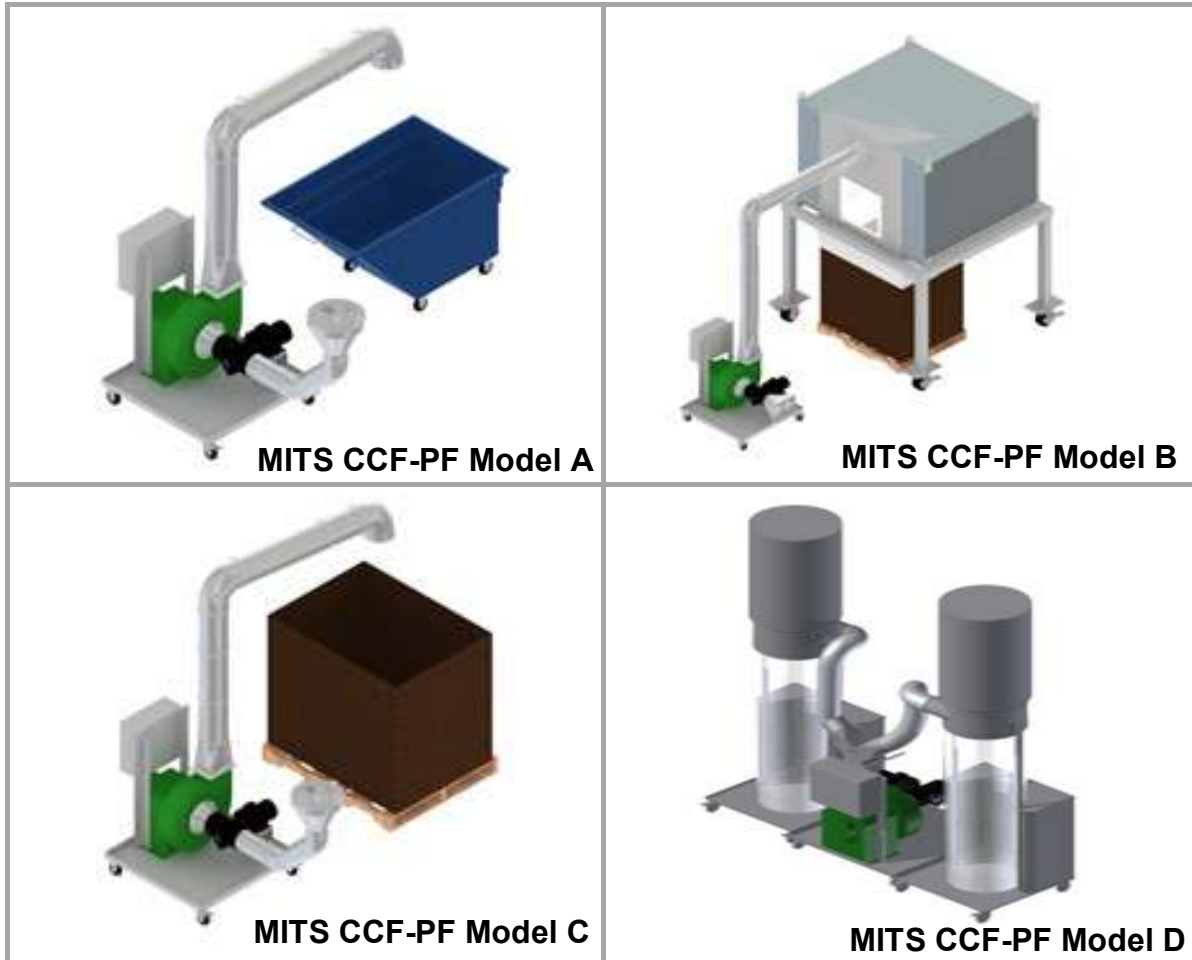


# MIT S

## Move it Trim Systems



The **MIT S-CCF** is a **Cutter-Cart-Fan** system.

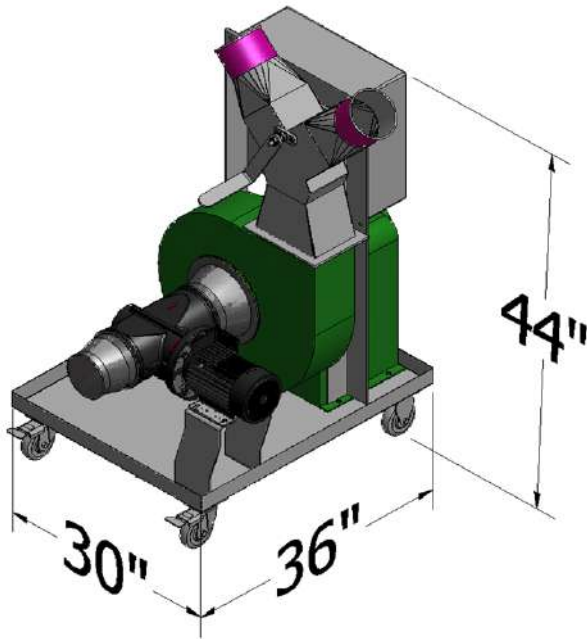
The **MIT S-VCP** is a **Venturi Cart-Pressure Blower** system.

That gives you the versatility to locate the waste removal system when and where it is required. In various models it is suitable for Paper Stock, Matrix, PSA materials, Films or Foils, sending the waste material to various containers of choice (bags, gaylords, or carts).

The AirTrim E-Z Rent to Own Plan is the best way to confirm payback on your pneumatic trim removal system. Due to increasing interest in this program, Single Machine Trim Removal rental unit availability varies. Contact us at [sales@airtrim.com](mailto:sales@airtrim.com) or phone us at 888-AirTrim for further information.

MIT S 2023

## MIT S-CCF-PF units for: Paper, Plastic, Film, and Foil



**Basic MITS-CCF-PF**  
(shown dual discharge / diverter optional)

### SPECIFICATIONS for CCF units

Max Air Flow (CFM)	822 / 2,177
Max Speed (FPM)	1,000
System Capacity (lbs/hr)	4,400 / 16,500
Max Suction Distance	60'
Max Duct Diameter	6" / 10"
Standard Cutter Optional Cutters	AT-140 / AT-200
Standard Blade Ass'y	3 blade
Variable Speed Fan	Optional
Min Material Thickness	.0004"
Wheeled cart	Standard
Voltage	208/220/480 VAC
<b>Cutter options for PF</b>	- Standard - With hole shield

### Options available for ALL CCF units (PF & MX)

#### Cart or Gaylord Dispense



#### Twin Bag



#### Twin Cart



#### Dust Containment



#### Separators



#### Wheeled Covered Carts

